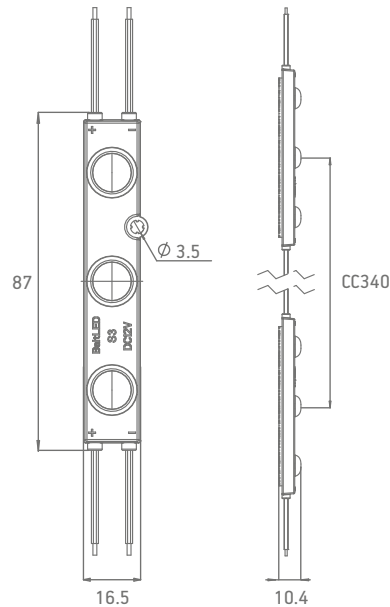




GENERAL SPECIFICATIONS

SUPPLY VOLTAGE	12 VDC
POWER	1.5 W; 1.2 W
RECOMMENDED DEPTH	From 120 to 200 mm
CC DISTANCE	340 mm
BINNING	3 SDCM
OPERATING TEMPERATURE	-30 °C ~ +50 °C
STORAGE TEMPERATURE	+5 °C ~ +70 °C
STORAGE CONDITIONS	Relative humidity <60%
LIFETIME	L70 50,000 h
CERTIFICATION	CE and RoHS compliant
WARRANTY	5 years (24/7)*

*Warranty is applied only and if storage, mounting and maintenance conditions, stated in the installation guide, are followed.



Dimensions are in mm

ORDERING INFORMATION

SKU	POWER, W	LUMEN OUTPUT, LM	COLOUR / CCT	STATUS	SAMPLES
BMP-S3-03UH160CW651	1.5	155	6600 K	IN STOCK	YES
BMP-S3-03UH160CW652	1.5	155	6500 K	IN STOCK	YES
BMP-S3-03UH160NW401	1.5	152	4000 K	IN STOCK	YES
BMP-S3-03UH160WW301	1.5	152	3000 K	IN STOCK	YES
BMP-S3-03UH160RC	1.2	52	red	IN STOCK	YES
BMP-S3-03UH160GC	1.5	100	green	IN STOCK	YES
BMP-S3-03UH160BC	1.5	27	blue	PRE-ORDER*	ON REQUEST

* Pre-order products will be available only with MOQ from 3000 EUR, lead time 3 – 8 weeks.
For precise lead time, contact your Customer Service manager.

PACKAGING INFORMATION

CHAIN	BAG	BOX
25 pcs (net weight: 0.385 kg)	75 pcs (net weight: 1.170 kg)	675 pcs (net weight: 11.000 kg)

CROWN OPTO S3



APPLICATION



Best for 120 - 200 mm